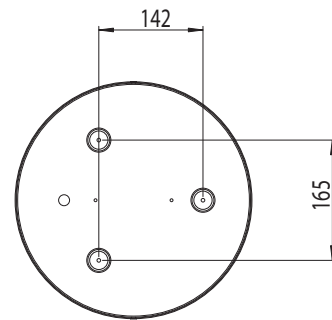
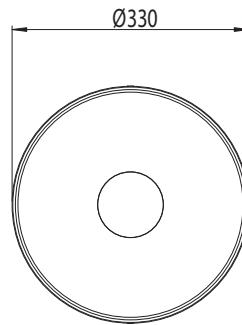




Part Number:


0591 Mallon Plus



Front View


1 x32w T9


IP44


Zones


Class 2

